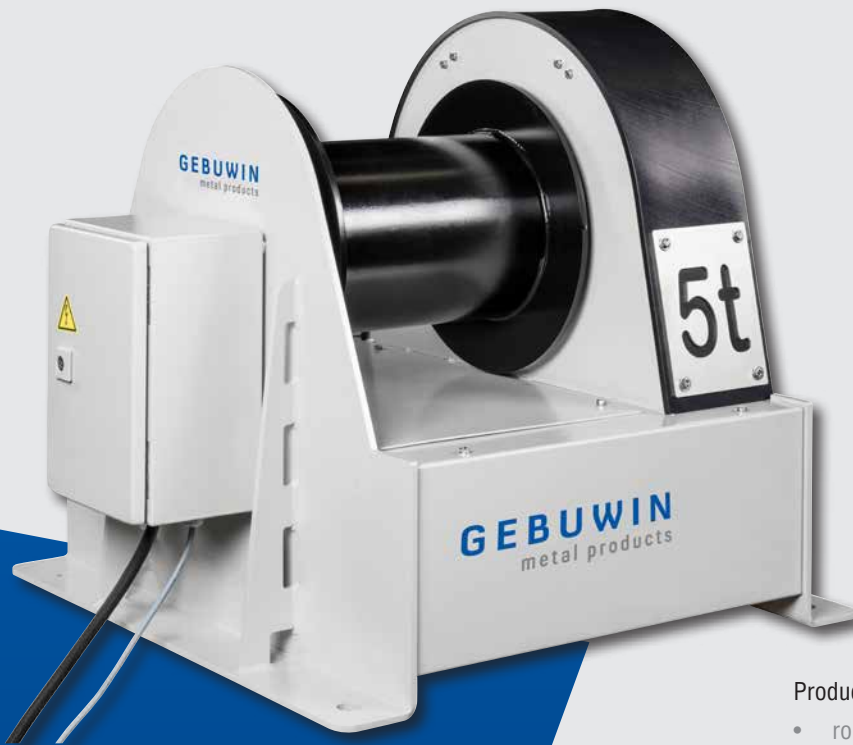


Low speed electric worm gear winch LS3000-7500



Low speed electric worm gear winch

230 V or 400 V-50 Hz



Product specifications:

- robust and safe electric pulling winch 400 V
- in compliance with EN 14492
- protection classification electric IP55/mechanical IP54
- electric insulation class F
- operation mode S3 (= low frequency use)
- mechanical overload protection
- thermal protection electric motor
- low voltage (24 V) pendant switch with 2 m cable
- including 2 m power cable with 16A CEE plug
- automatic grease system for the worm gearing
- paint thickness is 60 - 80 micron in 1 layer and in compliance with DIN/ISO 12944, C1M

Options:

- limit switch (required for hoisting application)
- grooved drum
- multiple cable drum compartments
- 230 V - 50 Hz

Accessories:

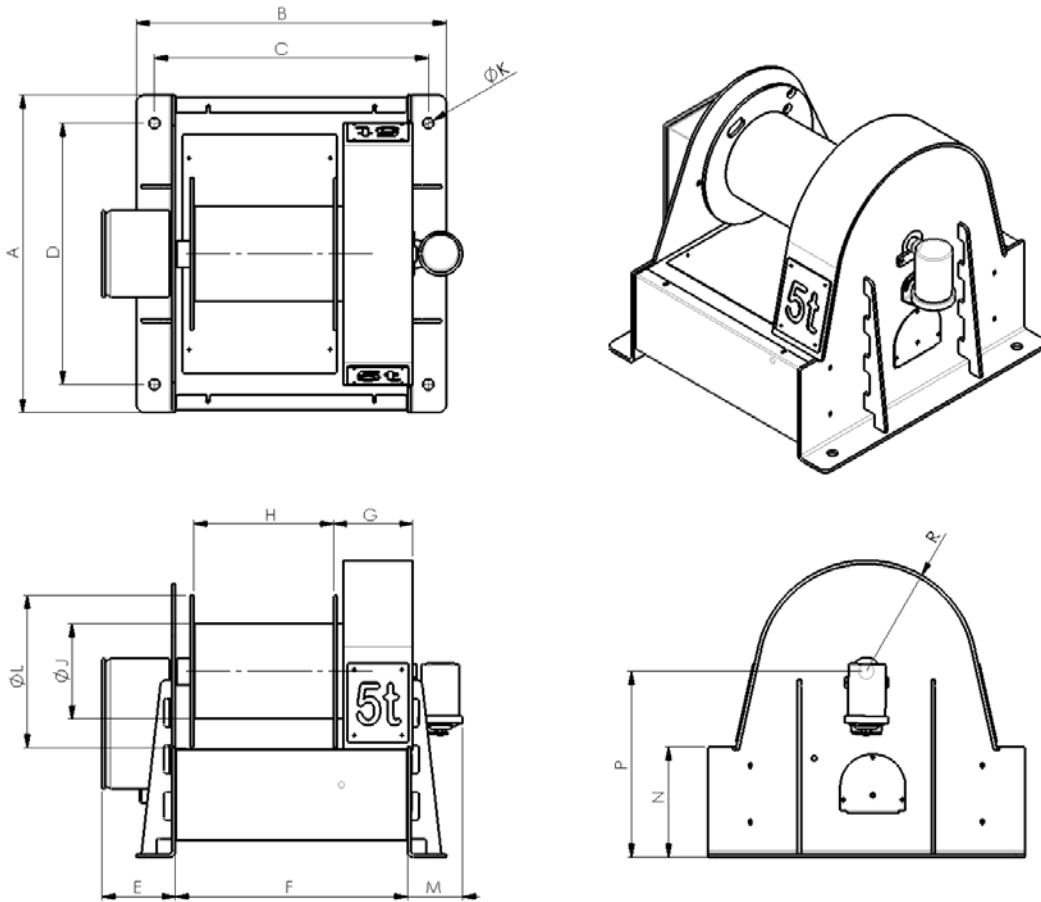
- steel or stainless steel wire ropes

GEBUWIN
metal products

Industrieweg 6, 7102 DZ Winterswijk, The Netherlands
Telephone: +31(0)543 532600 Email: info@gebuwin.com
For more information: www.gebuwin.com



Technical specifications LS3000-7500



Type	Mounting	Material finish	Remarks
LS3000 - 7500 GR / D	Floor, 4x M20 class 8.8	Painted finish	RAL 7035 (grey)

Dimensions (mm)	A	B	C	D	E	F	G	H	J	K	L	M	N	P	R
LS3000	700	600	630	600	169	534	183	324	168	25	275	126	254	390	223
LS5000	730	714	630	600	169	534	183	322	219	25	351	126	254	427	255
LS7500	750	854	764	650	171	614	204	370	245	25	425	128	275	498	327

Technical specifications		LS3000	LS5000	LS7500
Capacity 1st cable layer	kg	3000	5000	7500
Capacity last cable layer (3)	kg	2369	3959	5830
Cable speed 1st cable layer	m/min	0,5	0,4	0,3
Min. breaking load cable	kN	90	150	225
Diameter cable	mm	14	18	22
Max. cable storage (pulling)	m	40	39	42
Max. cable storage (hoisting, incl. limit switch)	m	10	10	10
Grease unit (grease EP2, approx. 1 year)	cc	240	240	240
Motor output	kW	0,55	0,75	0,75
Current	A	1,6	2	2
Own weight	kg	166	216	329

subject to changes

Form more information: www.gebuwin.com