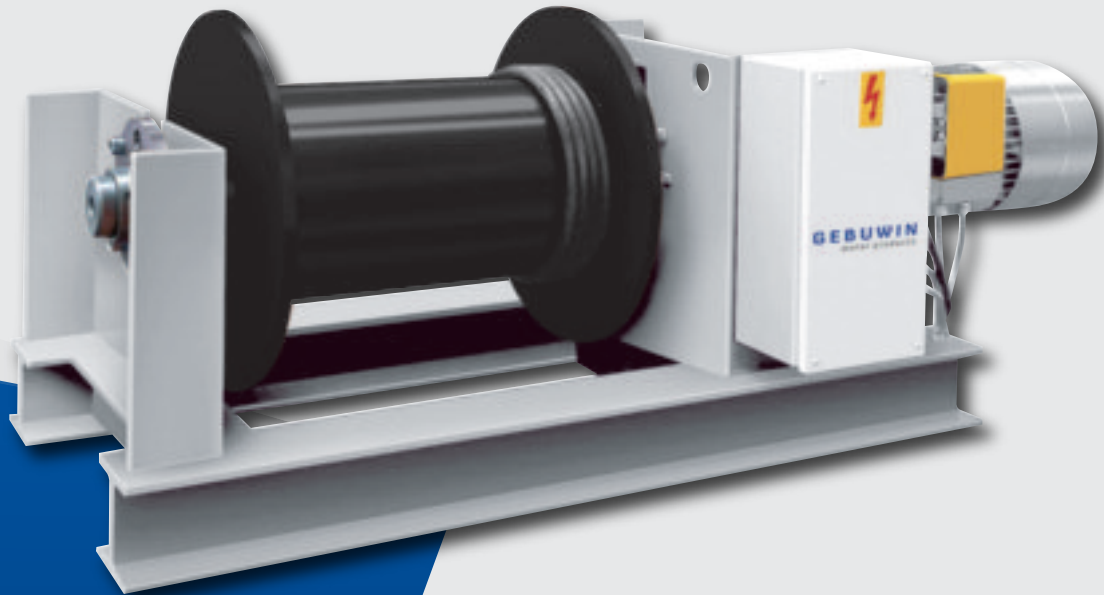


EP2000-3200-4000-5000-6300-8000-10000-12500-16000-20000 ../D



Electric planetary gear winch

400V-50Hz

Electric wire rope winch for pulling*

This new state-of-the-art winch offers high performance at economic cost. The basic winch is of robust construction and features a large wire rope capacity and is suitable for a wide range of use. A variety of optional applications are available to offer the flexibility that might be required. Each type is available in 8 speeds (S1, S2 and S3).

*As option available as hoisting winch - Limit switch required.

GEBUWIN
metal products



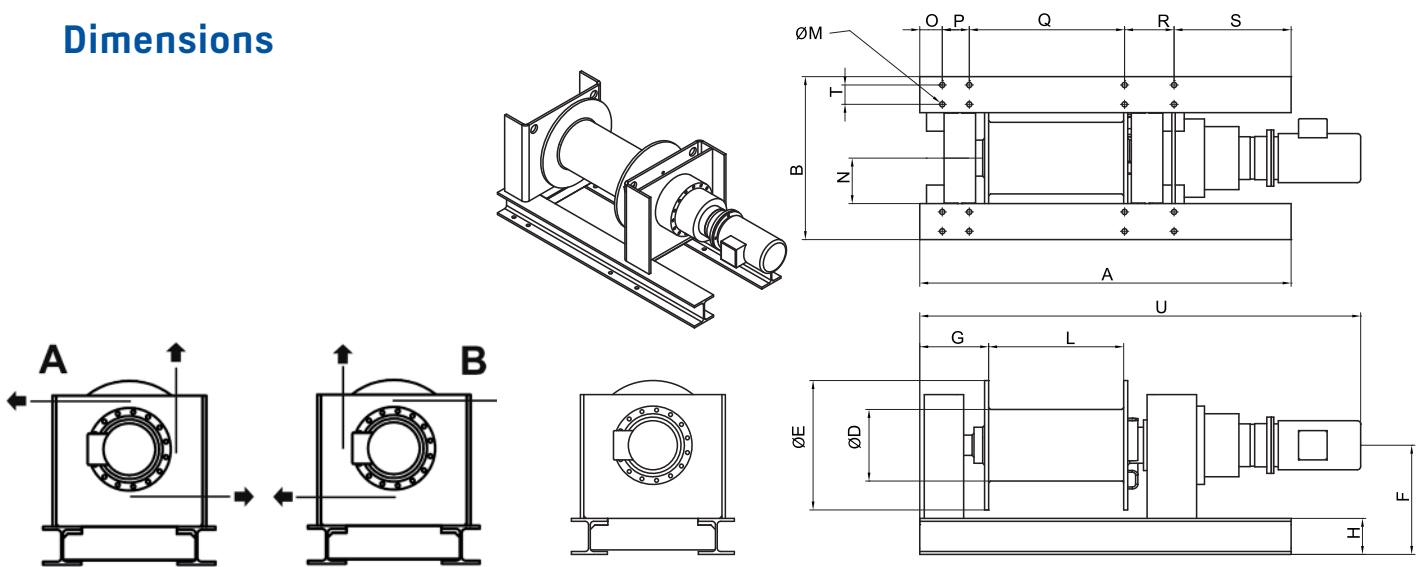
Industrieweg 6 7102 DZ Winterswijk The Netherlands
T +31 (0)543 532600 F +31 (0)543 532601
info@gebuwin.com www.gebuwin.com

Technical specifications EP2000-3200-4000-5000-6300-8000-10000-12500-16000-20000 ../D

Type	Capacity		Wirerope		Motor		Wirerope speed		Wirerope storage		Weight without wirerope	
	layer		Ø min. breaking load cable	mm	kN	motor output kW	nominal current A	layer		m		m
	1	5						1	5			
	kg	kg					m/min	m/min			kg	
EP2000 / D / S1						1,4/5,5	5,6/12,5	3,5/1,4	5,5/22			260
EP2000 / D / S2	2000	1300	10	71		2/8,5	6,5/18,2	5,5/23	8,5/36,5	20	135	300
EP2000 / D / S3						2,5/12	9/28	8,5/35	13,5/54,5			365
EP3200 / D / S1						1,4/5,5	5,6/12,5	2/9	3,5/14			305
EP3200 / D / S2	3200	2050	12	114		2/8,5	6,5/18,2	3/12,5	5/20	23	160	345
EP3200 / D / S3						2,5/12	9/28	4,5/19	7/30			410
EP4000 / D / S1						1,4/5,5	5,6/12,5	1,5/6	2,5/10			310
EP4000 / D / S2	4000	2500	13	142		2/8,5	6,5/18,2	2,5/11	4/16,5	22	150	350
EP4000 / D / S3						2,5/12	9/28	3,5/14	5,5/22			415
EP5000 / D / S1						1,4/5,5	5,6/12,5	1/5	2/7,5			415
EP5000 / D / S2	5000	3200	14	178		2/8,5	6,5/18,2	2/8	3/12,5	25	165	450
EP5000 / D / S3						2,5/12	9/28	3/12	5/19,5			515
EP6300 / D / S1						1,4/5,5	5,6/12,5	1/4	2/7			455
EP6300 / D / S2	6300	4050	16	224		2/8,5	6,5/18,2	1,7/7	2,5/10,5	20	155	495
EP6300 / D / S3						2,5/12	9/28	2,5/10	4/15,5			555
EP8000 / D / S1						1,4/5,5	5,6/12,5	1/3,5	1,4/5,5			685
EP8000 / D / S2	8000	5200	18	284		2/8,5	6,5/18,2	1,3/5,5	2/8	22	155	725
EP8000 / D / S3						2,5/12	9/28	1,9/7,5	2,5/11,5			785
EP10000 / D / S1						1,4/5,5	5,6/12,5	0,7/2,5	1,1/4,3			700
EP10000 / D / S2	10000	6500	20	355		2/8,5	6,5/18,2	1/4	1,6/6,5	22	155	740
EP10000 / D / S3						2,5/12	9/28	1,5/6	2,3/9			810
EP12500 / D / S1						1,4/5,5	5,6/12,5	0,6/2,2	0,9/3,5			815
EP12500 / D / S2	12500	8200	22	444		2/8,5	6,5/18,2	0,3/3,5	1,3/5,4	22	160	855
EP12500 / D / S3						2,5/12	9/28	1,2/4,5	1,8/7			915
EP16000 / D / S1						1,4/5,5	5,6/12,5	0,5/1,8	0,7/2,8			1210
EP16000 / D / S2	16000	10400	25	568		2/8,5	6,5/18,2	0,6/2,5	0,9/3,8	22	160	1250
EP16000 / D / S3						2,5/12	9/28	0,9/3,5	1,3/5,3			1320
EP20000 / D / S1						2/8,5	6,5/18,2	0,5/21	0,8/3,2			1320
EP20000 / D / S2	20000	13000	28	710		2,5/12	9,28	0,8/3	1,1/4,6	22	160	1390

Operation current 400 V/50 Hz, Enclosure IP 55, Isolation class F, 53-25% - 33-40%
 Recommended wireropees should be suitable for the wirerope diameters and the breaking loads mentioned in the table above.

Dimensions



Type	main dimensions in mm																
	A	B	D	E	F	G	H	L	M	N	O	P	Q	R	S	T	U
EP2000 D / S1																	1530
EP2000 D / S2	1450	544	133	300	320	215	100	530	13	172	70	100	700	100	480	56	1630
EP2000 D / S3																	1770
EP3200 D / S1																	1650
EP3200 D / S2	1450	544	159	320	320	215	100	610	13	172	70	100	700	100	480	56	1750
EP3200 D / S3																	1940
EP4000 D / S1																	1620
EP4000 D / S2	1450	544	178	350	320	215	100	580	13	172	70	100	700	100	480	56	1720
EP4000 D / S3																	1910
EP5000 D / S1																	1720
EP5000 D / S2	1530	620	203	400	370	204	120	610	17	190	90	75	700	75	590	70	1770
EP5000 D / S3																	1960
EP6300 D / S1																	1790
EP6300 D / S2	1530	620	219	430	370	204	120	610	17	190	90	75	700	75	590	70	1880
EP6300 D / S3																	2020
EP8000 D / S1																	1900
EP8000 D / S2	1650	724	254	510	485	301	160	600	23	202	100	120	690	220	520	86	2000
EP8000 D / S3																	2140
EP10000 D / S1																	1900
EP10000 D / S2	1650	724	279	550	485	301	160	600	23	202	100	120	690	220	520	86	2000
EP10000 D / S3																	2190
EP12500 D / S1																	2040
EP12500 D / S2	1650	724	318	610	485	301	160	600	23	202	100	120	690	220	520	86	2130
EP12500 D / S3																	2320
EP16000 D / S1																	2140
EP16000 D / S2	1850	1000	356	685	595	378	220	600	25	280	150	200	700	200	600	120	2240
EP16000 D / S3																	2430
EP20000 D / S1																	2310
EP20000 D / S2	1850	1000	394	760	595	378	220	600	25	280	150	200	700	200	600	120	2500

serial model:

- precision drive by planetary gear
- large wirerope storage capacities
- rigid welded construction
- planetary gear built-on to facilitate maintenance

as option:

- grooved drum
- separating partition
- second brake as safety brake
- pressure roller
- rope spooling guide
- slack-rope monitoring
- separating partition and/or
2nd wirerope fastening on the drum
- bevel gear
- manual drive device
- counter for operation hours
- wirerope limit
- other speeds, capacities and frequencies
- radio control
- low voltage control
- continuous wirerope speed
- enclosure IP 66
- pneumatic drive
- hydraulic drive
- drum protection cover
- disengaging clutch
- ATEX-version