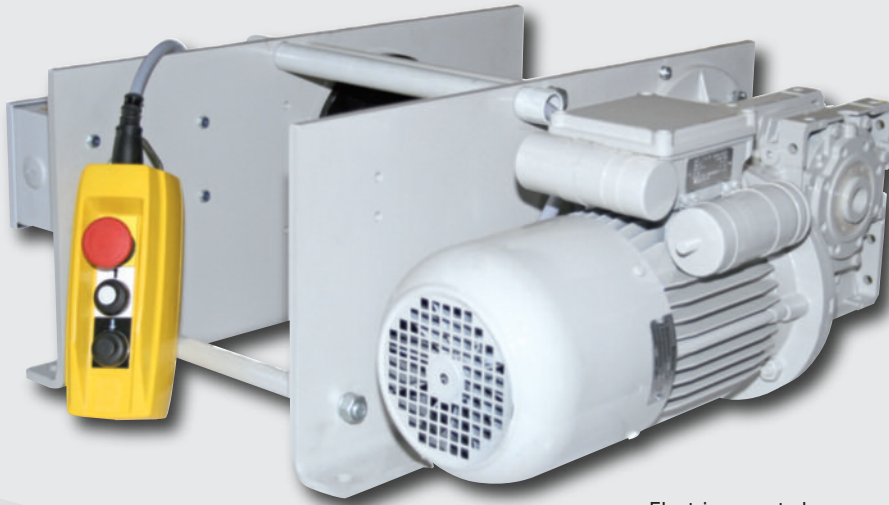


EW125-250-500-990-1000-2000-3200/..



Electric worm gear winch

400V-50Hz



Electric operated worm gear winch 400V-50Hz:

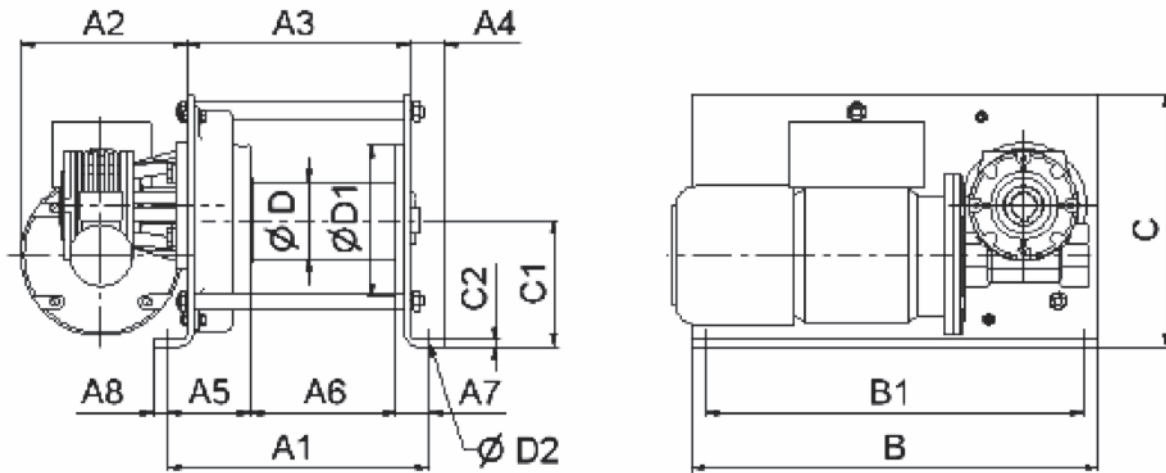
- robust and safe winch
- serial model as pulling winch
- maintenance-free ball bearing
- enclosure IP54, insulation class B
- standard overload protection from 1000 kg - 3200 kg
- pendant control switch with 1 m control cable
- operation mode S3 - 40% - 120 c/h
- as option:
 - available as hoisting winch (limitswitch and low voltage control required)
 - increase of cable storage by 10 m
 - grooved drum
 - 2 cable compartments
 - disengaging clutch (not for 125 kg model)
 - wall mounted control switch
 - operational limit switch for external installation
 - electric overload protection for 125 kg - 990 kg
 - low voltage 42V control
 - two speeds
 - double speed ()
 - radio control
 - frequency control
 - enclosure up to IP66
 - ATEX certified Ex II 3 GD T4, suitable for zone 2 and 22

G E B U W I N
metal products

Industrieweg 6 7102 DZ Winterswijk The Netherlands
T +31 (0)543 532600 F +31 (0)543 532601
info@gebuwin.com www.gebuwin.com



Technical specifications 400V-50Hz EW125-250-500-990-1000-2000-3200 ../..



Type	Mounting	Material finish	Remarks
EW125 D / 400V	Ground, 4x M8 class 4.6	Painted finish	RAL 7035 (grey)
EW250 D / 400V	Ground, 4x M10 class 4.6	Painted finish	RAL 7035 (grey)
EW500 D / 400V	Ground, 4x M10 class 4.6	Painted finish	RAL 7035 (grey)
EW990 D / 400V	Ground, 4x M12 class 4.6	Painted finish	RAL 7035 (grey)
EW1000 D / 400V	Ground, 4x M12 class 4.6	Painted finish	RAL 7035 (grey)
EW2000 D / 400V	Ground, 4x M16 class 4.6	Painted finish	RAL 7035 (grey)
EW3200 D / 400V	Ground, 4x M16 class 4.6	Painted finish	RAL 7035 (grey)

Dimensions (mm)	A1	A2	A3	A4	A5	A6	A7	A8	B	B1	C	C1	C2	D	D1	D2
EW125	205	165	171	30	43	135	27	13	405	375	215	140	4	60	130	9
EW250	260	165	222	34	78	150	32	15	405	375	250	125	6	60	150	11
EW500	260	165	222	34	82	145	33	15	405	375	250	125	6	76	150	11
EW990	345	216	289	45	99	198	48	17	575	535	270	155	10	108	180	13
EW1000	345	216	289	45	99	198	48	17	575	535	270	155	10	108	180	13
EW2000	440	216	358	61	173	200	67	20	600	550	385	171	15	146	245	17
EW3200	525	198	443	61	193	257	75	20	600	550	405	191	15	216	370	17

Technical specifications	EW125	EW250	EW500	EW990	EW1000	EW2000	EW3200
Capacity:							
1 st cable layer	kg	125	250	500	990	1000	3200
Last cable layer	kg	90	180	340	780	780	2500
Cable speed 1 st layer	m/min	7,8 (15)	5 (10)	2,5 (5)	4,5 (9)	4,5 (9)	4,5
Diameter cable	mm	4	4	6	8	8	16
Max. cable storage	m	32	35	30	30	30	37
Min. breaking load cable	kN	5	9	18	36	36	114
Motor output	kW	0,37 (0,75)	0,37 (0,75)	0,37 (0,75)	1,3 (2,6)	1,3 (2,6)	3
Current	A	1,1 (1,9)	1,1 (1,9)	1,1 (1,9)	3,2 (6)	3,2 (6)	7
Own weight	kg	27	37	40	88	88	210

() = version with double cable speed

subject to changes

www.gebuwin.com