

Electric chain hoist EH125-2000 with eye or hook



Electric chain hoist



Product specifications:

- with eye (E) or hook (H)
- durable, safe and easy to use
- aluminium cast body, compact, light and robust, control panel made with shock resistant plastic
- corrosion resistant electromagnetic brake
- very smooth transmission, vibration-free and low noise
- three-phase motor with two speeds (S1 and S2), insulation class F
- power supply 400 V - 50 Hz /60 Hz
- low voltage control 48 V
- overload limiter
- galvanized chain class DAT (G 80) (EN818-7)
- standard length of chain is 3 m
- durable chain container
- ergonomic push button control, IP65
- standard push button length 2 m
- protection IP55
- operation humidity 85% or less
- operating temperature -10 °C / +40 °C
- operating mode S3

Options:

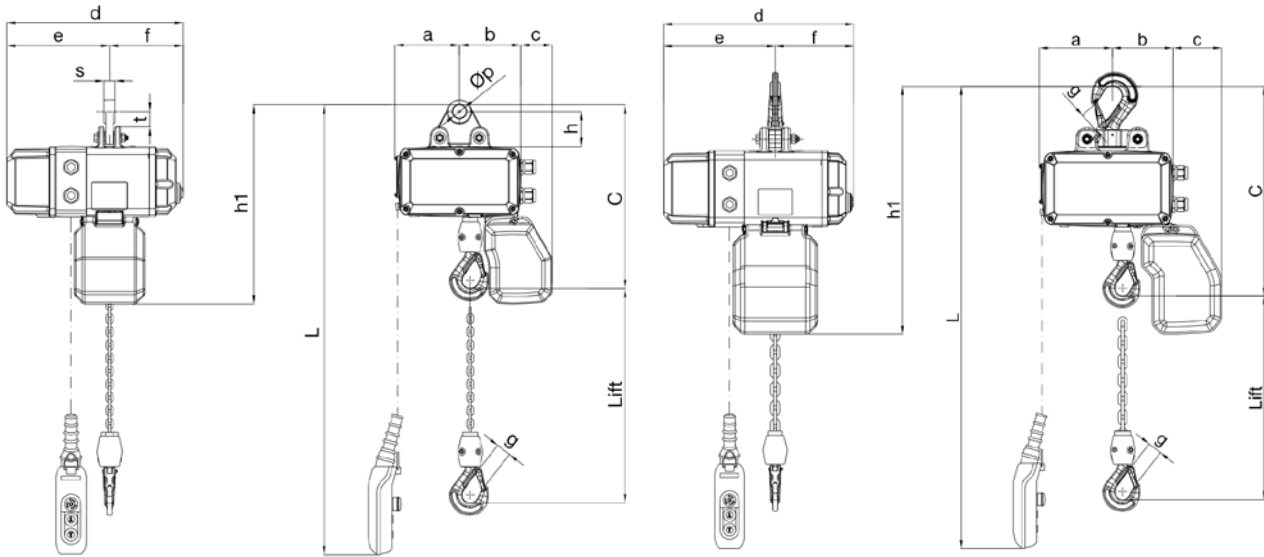
- limit switch for vertical movement
- radio control
- increase of chain storage

GEBUWIN
metal products

Industrieweg 6, 7102 DZ Winterswijk, The Netherlands
Telephone: +31(0)543 532600 Email: info@gebuwin.com
For more information: www.gebuwin.com



Technical specifications EH125-2000



Dimensions (mm)	Minimum headroom C	a	b	c	d	e	f	g	h	h1*	s	t	Ø p
EH125 E / S1	420	148	140	72	404	235	169	25	80	455	25	35	30,5
EH250 E / S1 and S2	420	148	140	72	404	235	169	25	80	455	25	35	30,5
EH500 E / S1 and S2	420	148	140	72	404	235	169	25	80	455	25	35	30,5
EH1000 E / S1	456	148	140	72	404	235	169	25	80	455	25	35	30,5
EH1000 E / S2	454	174	144	116	452	266	186	25	92	545	30	36,5	36,5
EH2000 E / S1	541	174	144	116	452	266	186	34	92	545	30	36,5	36,5
EH125 H / S1	445	148	140	72	404	235	169	25	-	480	-	-	-
EH250 H / S1 and S2	445	148	140	72	404	235	169	25	-	480	-	-	-
EH500 H / S1 and S2	445	148	140	72	404	235	169	25	-	480	-	-	-
EH1000 H / S1	480	148	140	72	404	235	169	25	-	480	-	-	-
EH1000 H / S2	500	174	144	116	452	266	186	25	-	590	-	-	-
EH2000 H / S1	585	174	144	116	452	266	186	34	-	590	-	-	-

* short type chain container (up to 11 m chain)

Technical specifications	Chain		Lifting speed	Lifting motor output	Power supply	Classification std.	Weight
	mm	n°	m/min.	kW	V	FEM	kg
EH125 E and H / S1	5	1	8/2	0,09/0,36	380-415	2m	35
EH250 E and H / S1	5	1	5/1,25	0,09/0,36	380-415	3m	35
EH250 E and H / S2	5	1	8/2	0,09/0,36	380-415	1Am	35
EH500 E and H / S1	5	1	5/1,25	0,18/0,75	380-415	1Am	35
EH500 E and H / S2	5	1	8/2	0,18/0,75	380-415	1Am	35
EH1000 E and H / S1	5	2	4/1	0,18/0,75	380-415	1Am	37
EH1000 E and H / S2	7	1	8/2	0,45/1,90	380-415	1Am	58
EH2000 E and H / S1	7	2	4/1	0,45/1,90	380-415	1Am	61

subject to changes

Form more information: www.gebuwin.com