

## AM5000-EM5000



# Winch power tool

This pneumatic auxiliary motor and electrical auxiliary motors are intended as an alternative to the manual drive and are only used for brief and non-frequent usage. The combination of manual winch and electrical- or pneumatic auxiliary motor is not an alternative to an electrical driven winch.

#### Winch power tool:

- robust slow speed drive units
- easy to operate
- reversible rotation
- suitable for use on the following models: WW1000, 1500, 2000, 3000, 4000, 5000 and 7500
- because of a swift and easy connection system this unit is well equipped to serve various winches in one plant

#### AM5000

- air motor
- including filter and hose fitting
- painted air motor and zinc plated adapter system

#### EM5000

- electric drill motor 230V-50Hz
- metal gear head with MT4 holder
- including zinc plated winch adapter, additional handle, drift key, suspension eyelet



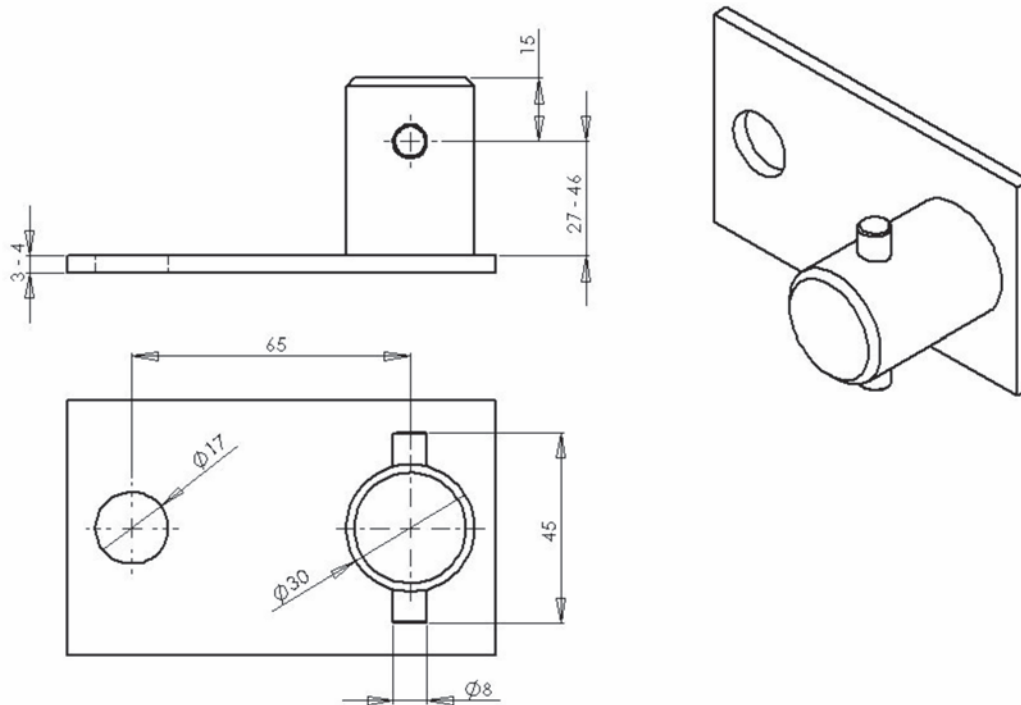
**GEBUWIN**  
metal products



Industrieweg 6 7102 DZ Winterswijk The Netherlands  
T +31 (0)543 532600 F +31 (0)543 532601  
info@gebuwin.com www.gebuwin.com

# Technical specifications AM5000-EM5000

## DIMENSION WINCH SHAFT AND HOLE



Technical specifications	AM5000	EM5000
Power	1200W	900W
Air pressure	Max. 6-8 bar	-
Voltage – frequency	-	230V-50Hz
Free speed	140 rpm	100 rpm
Speed at max. power (torque)	60 rpm (60-90 Nm)	60 rpm (50-70 Nm)
Dimension L x H x B	545x76x277 mm	510x530x150 mm
Own weight	5 kg	13 kg
Air consumption at max power	2100 l/min	-
Min. fitting/hose diameter (inside)	10,4/15 mm	-
Cable length with plug	-	2,5 m